



C-BUCK Engineering

Specialty Structural Engineering

C-Buck, Inc., FL Cert. of Authorization # 8064

Installation Method
of
Ridged Systems LLC
“Top Notch”
Concrete Ridge Tile Structural Support
for
Florida Product Approval
FL 8095.1

Florida Building Code 2004

Method: 1 - D

Category: Roofing

**Sub - Category: Roofing Accessories that are an Integral
Part of the Roofing System
(Ridge Tile Structural Support)**

Product: *Top Notch*

Material: *Extruded Plastic*

Product Description: *Ridge Member*

Support Type: *Wood Deck*

Prepared for:

Ridged Systems LLC.

151 NW 18th Avenue

Delray Beach, Florida 33444

Prepared by:

James L. Buckner, P.E.

Florida Professional Engineer # 31242

Florida Evaluation ANE ID: 1916

Engineer Assistant: Michael Riemer

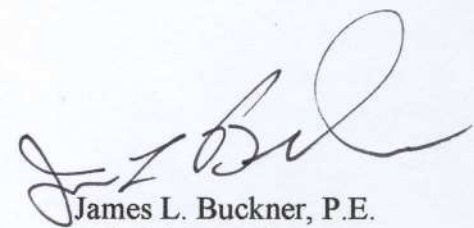
Report No. 06-285-Topnotch-concrete-IM

Date: 11 / 27 / 06

Contents:

Installation Method Pages 1 – 3

Profile Drawings Page 4 – 5



James L. Buckner, P.E.

Florida P.E. # 31242

11/28/07



C-BUCK Engineering

Specialty Structural Engineering

C-Buck, Inc., FL Cert. of Authorization # 8064

Tested Assembly:

Concrete Ridge Tile: Concrete Ridge Tile Shall comply with FBC 2004 with 2005 and 2006 Supplement Section 1507.3.4.

Adhesive: Polyfoam Polypro AH160 Roof Tile Adhesive, shall comply with FL # 6332.1

Ridge Member: “Top Notch” Ridge Member Shall be in compliance with ASTM D412, ASTM D2240, ASTM 1817, and ASTM D395.

Underlayment: Per FBC 2004 with 2005 and 2006 supplement, Section 1507.3.3
(Design of underlayment is outside of the scope of this evaluation)

Wood Deck: Roof Deck per FBC 2004 with 2005 and 2006 supplement, Chapter 23
(Design of deck is outside of the scope of this evaluation)



C-BUCK Engineering

Specialty Structural Engineering

C-Buck, Inc., FL Cert. of Authorization # 8064

Installation Method:

Adhesive to Underlayment: A continuous strip paddy placement of 32 grams per foot of Polyfoam Polypro AH160 roof tile adhesive shall be applied along the underlayment.

Average paddy weight shall be a minimum of **32 grams per foot**.

Ridge Member: Install the “ Top Notch “ Ridge Member into the continuous strip paddy of Polyfoam Polypro AH160 Adhesive. (Refer to the FRSA/TRI 07320 *Concrete and Clay Tile Roof Tile Installation Manual*.)

Adhesive to Ridge Member: A continuous strip paddy placement of 32 grams per foot of Polyfoam Polypro AH160 roof tile adhesive shall be applied along the top length of the “ Top Notch “ Ridge Member.

Average paddy weight shall be a minimum of **32 grams per foot**.

Concrete Ridge Tile Installation: Install the concrete Ridge Tile to the “Top Notch” Ridge Member with patty placement starting at the head beneath the watercourse area of the tile and extending along the length of the member.

Install the Ridge Tile to the deck in accordance with the installation method as described in this evaluation report and in compliance FRSA/TRI 07320 *Concrete and Clay Tile Roof Tile Installation Manual*, Fourth Edition, and Florida Building Code, 2004 with 2006 Supplements Section 1507.3.7, subject to the System Limitations listed in this Evaluation Report.

Manufacturer’s Installation Instructions: Refer to the manufacturer’s installation instructions as a supplemental guide for attachment.

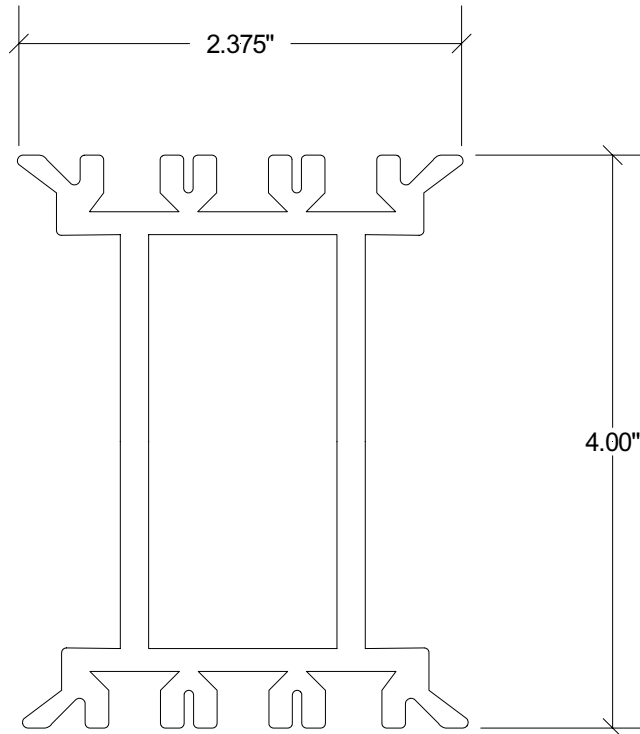
Evaluation Report: Conditions and Limitations of the Evaluation Report apply.

C-BUCK Engineering

Specialty Structural Engineering

C-Buck, Inc., FL Cert. of Authorization # 8064

Installation Method Ridged Systems, LLC. "Top Notch Ridge Member"



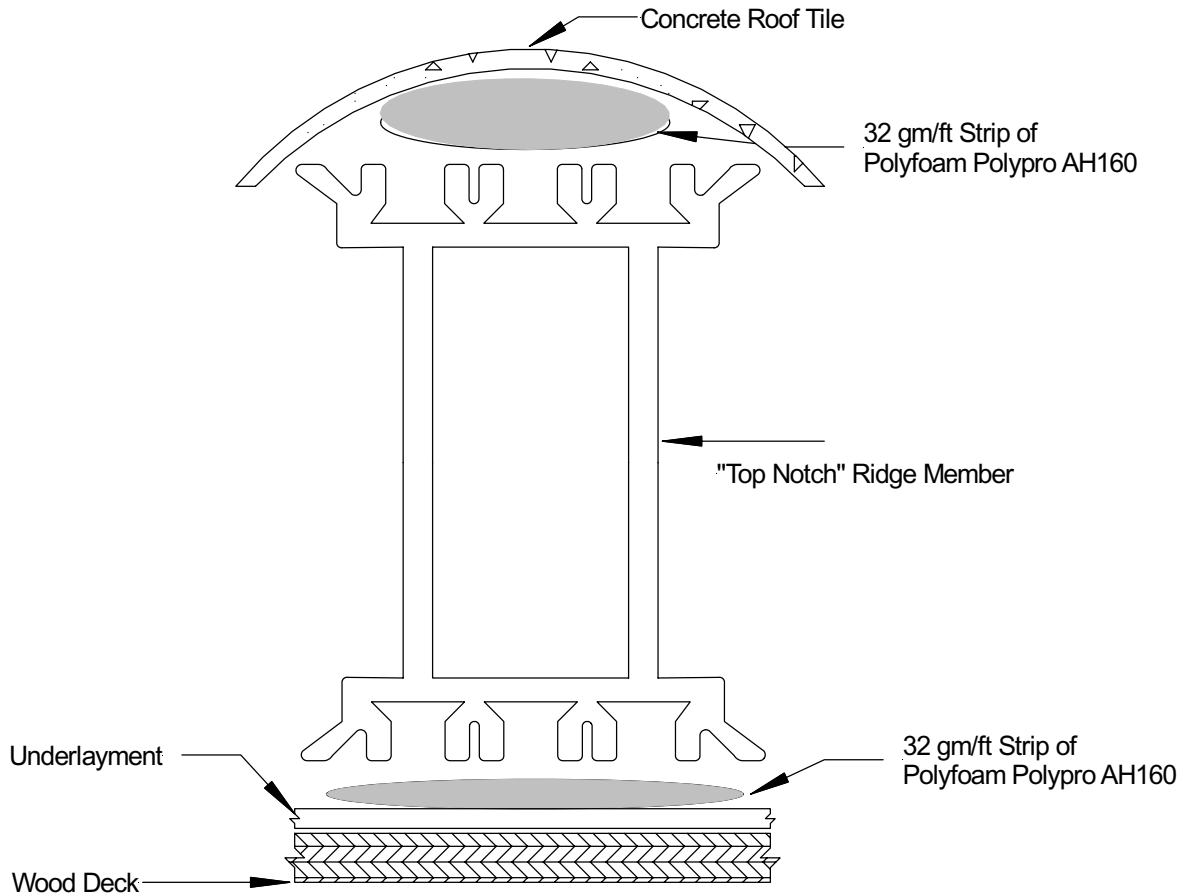
Member Profile

C-BUCK Engineering

Specialty Structural Engineering

C-Buck, Inc., FL Cert. of Authorization # 8064

Installation Method Ridged Systems, LLC. "Top Notch Ridge Member"



Assembly Profile